

INMIDI Design Worksheet

Date

Customer

Program

Production Start

Estimated Annual Usage

Part Number

Log Number

Fuse Rating 30A
 40A
 50A
 60A
 70A
 80A

Wire Gauge 10AWG 8AWG 6AWG 4AWG 2AWG

Fuse Voltage 100A
 32 Volt 125A
 58 Volt 150A

Insulation Type Insulation Color

WIRE "A"

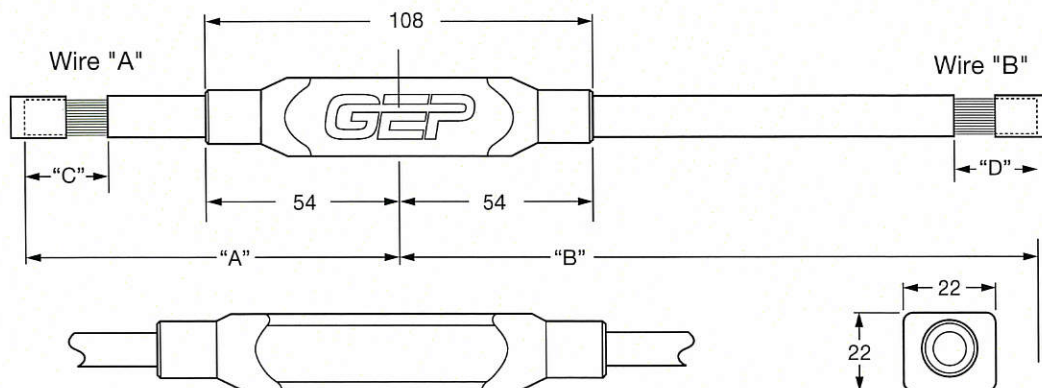
WIRE "B"

Length (A) Length (B)

Strip Length (C) Strip Length (D)

Wire Termination Wire Termination

Special Instructions



All dimensions are in millimeters and for reference only