

Blade Type In-Line Fuse Holders

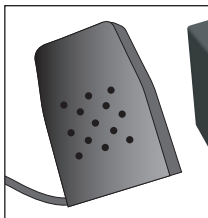
Application:
In-line fuse holders for ATM "Mini" blade-type fuse, ATO[®] fuse and the Maxi™ style fuses

Options:
See blade type fuseholders Design Worksheet which includes fuse, wire size, length, color and terminal options. Part numbers will be assigned by factory

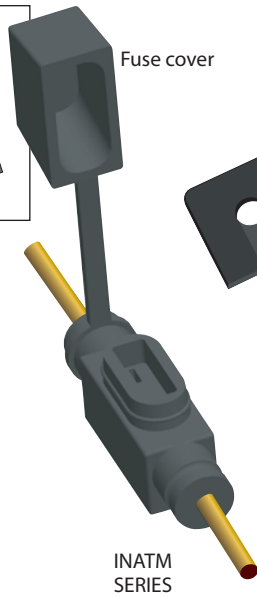
• RoHS compliant

INATM

In-line fuse holder for the ATM Mini[®] fuses
Rating: 32V, 30A max



Optional circuit breaker cover



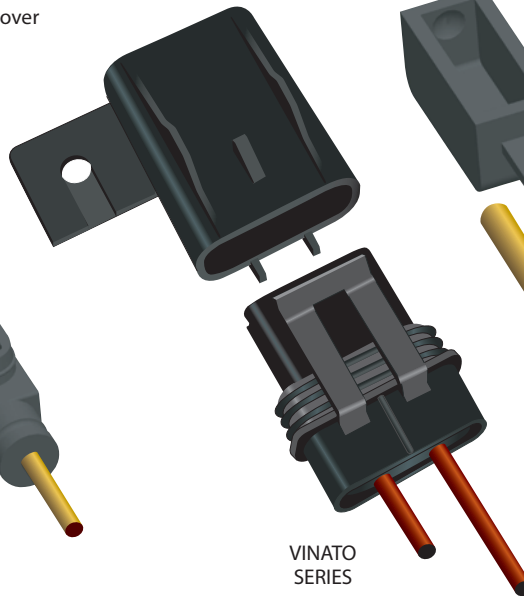
INATM SERIES

VINATO and INATO

In-line fuse holder for the ATO[®] fuses
VINATO-Vertical in-line ATO[®] fuse holder is sealed with a locking cover and integral mounting hole.

Rating: 32V, 30A max

INATO-In-line ATO[®] fuse holder
Rating: 32V, 30A max

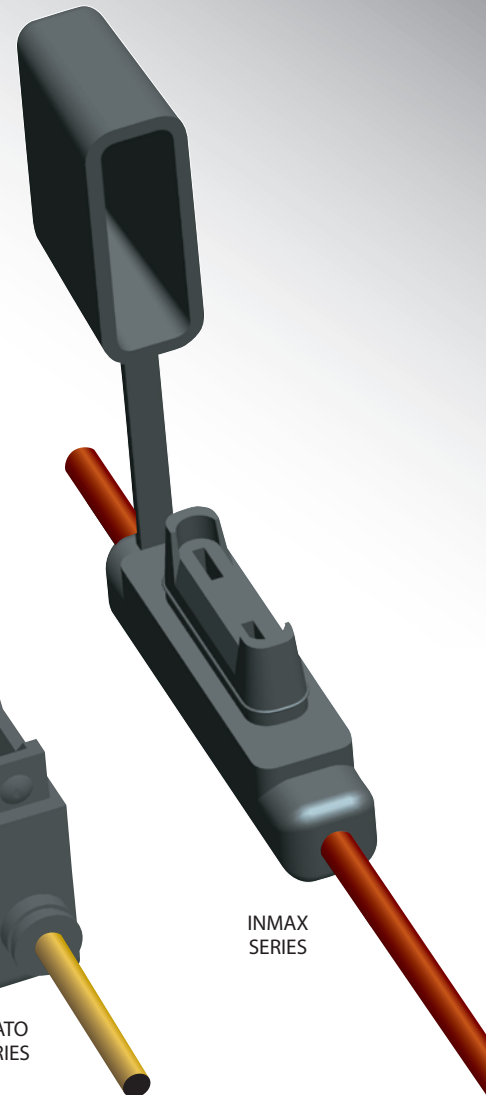


VINATO SERIES

INATO SERIES

INMAX

In-line fuse holder for the MAXI™ fuses
Rating: 32V, 60A max



INMAX SERIES

In-Line Fuse Holder Design Worksheet

Date

Customer

Program

Production Start

Estimated Annual Usage

Part Number

Log Number

Fuse Type

<input type="radio"/> 1 ♦♦	<input type="radio"/> 15 ♦♦
<input type="radio"/> INATM •	<input type="radio"/> 20 ♦♦*
<input type="radio"/> INATO ♦	<input type="radio"/> 3 ♦♦
<input type="radio"/> VINATO ♦	<input type="radio"/> 25 ♦♦*
<input type="radio"/> INMAX *	<input type="radio"/> 4A ♦♦
	<input type="radio"/> 30 ♦♦*
	<input type="radio"/> 5A ♦♦
	<input type="radio"/> 35 ♦♦*
Fuse Included	<input type="radio"/> 7.5 ♦♦
<input type="radio"/> Y	<input type="radio"/> 40 ♦♦*
<input type="radio"/> N	<input type="radio"/> 10 ♦♦
	<input type="radio"/> 50 *
	<input type="radio"/> 60 *

WIRE "A"

WIRE "B"

Wire Gauge

Wire Gauge

Insulation Type

Insulation Type

Insulation Color

Insulation Color

Length (L1)

Length (L2)

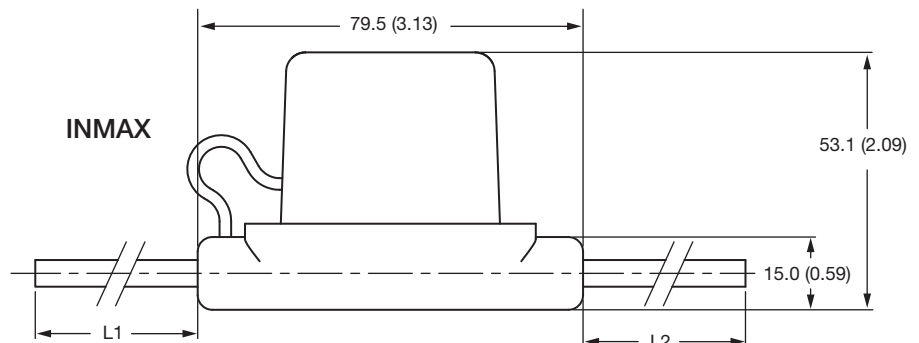
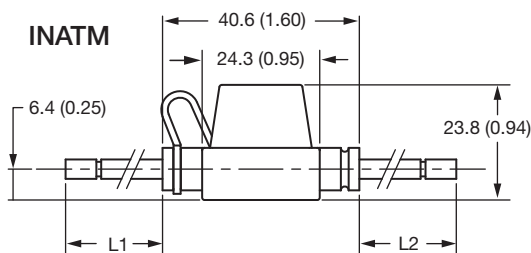
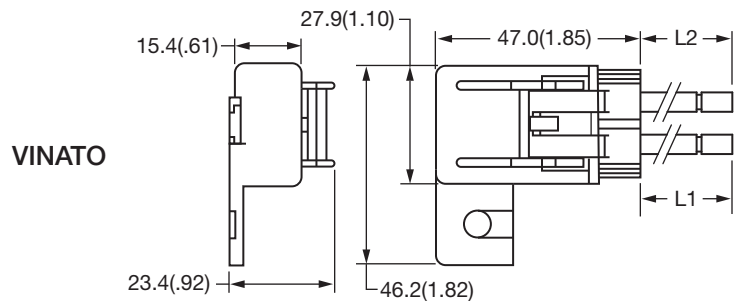
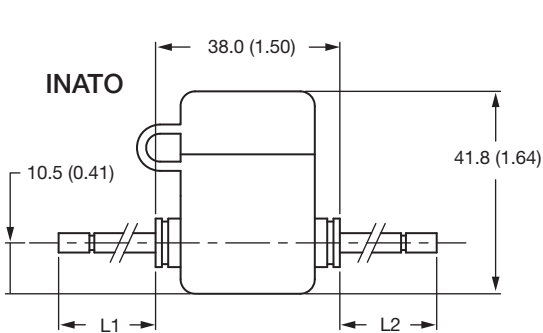
Strip Length

Strip Length

Wire Termination

Wire Termination

Special Instructions



All dimensions are in millimeters and for reference only