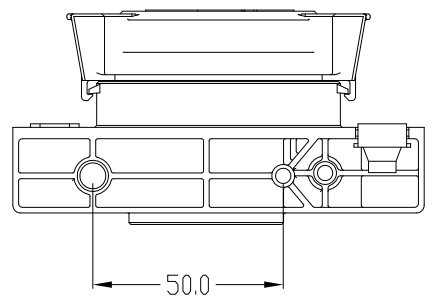
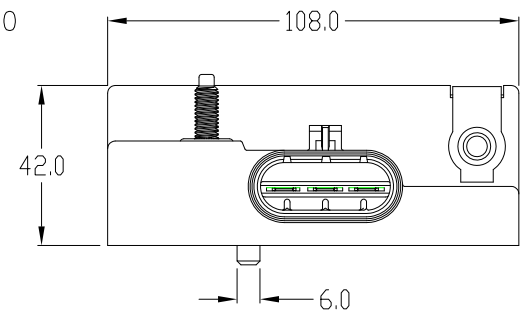
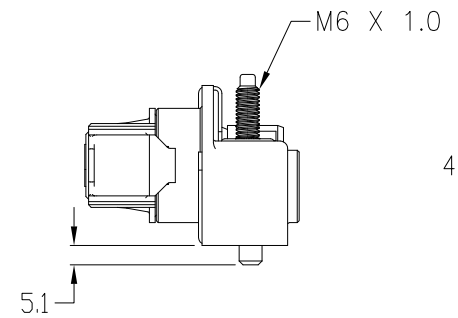
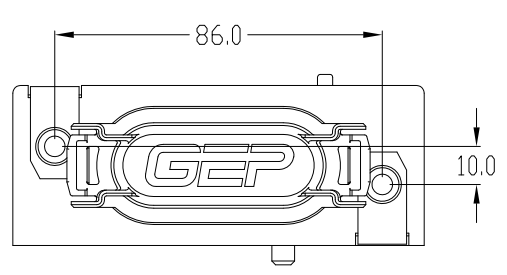
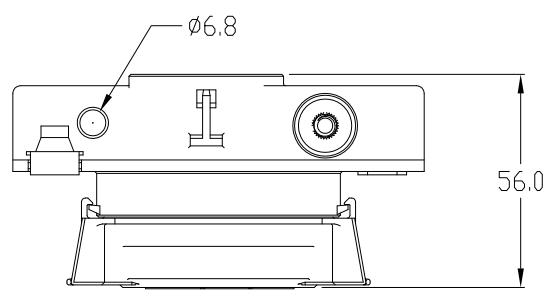
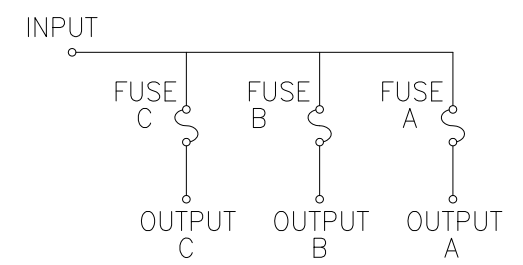


SPEED NUTS
PANEL MOUNT VERSION
NOTES 4,5&6



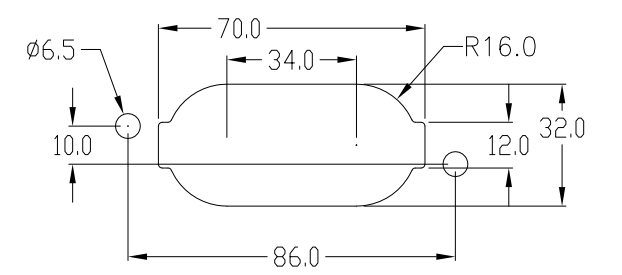
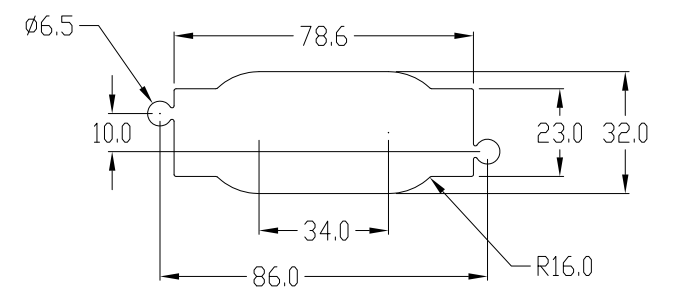
JCU-3X-XXX-X

- OPTION
- OMIT IF NONE
- P - PLAIN COVER
- FUSE POSITION C
 - 0 - NO FUSE
 - A - 20 AMP
 - B - 25 AMP
 - C - 30 AMP
 - D - 40 AMP
 - E - 50 AMP
 - F - 60 AMP
- FUSE POSITION B
 - 0 - NO FUSE
 - A - 20 AMP
 - B - 25 AMP
 - C - 30 AMP
 - D - 40 AMP
 - E - 50 AMP
 - F - 60 AMP
- FUSE POSITION A
 - 0 - NO FUSE
 - A - 20 AMP
 - B - 25 AMP
 - C - 30 AMP
 - D - 40 AMP
 - E - 50 AMP
 - F - 60 AMP
- MOUNTING OPTION
 - P - PANEL MOUNT
 - S - SURFACE MOUNT



SCHMATIC

PART NO.	JCU-3X-XXX-X (SALES)		
TITLE	3-WAY J-CASE FUSE HOLDER		
CUSTOMER	STANDARD		
METRIC (mm)			SCALE 1:2
REV #	REVISION	DATE	OK
0	SALES DRAWING RELEASE ECN-11017	10-04 2011	



SUGGESTED PANEL CUTOUTS

NOTES:

1. MATES WITH DELPHI 12124685 3-WAY CONNECTOR
2. INPUT STUD: M6X1.0 ZINC PLATED STEEL
3. MAXIMUM INPUT STUD TORQUE: 5 Nm MAX
4. SPEED NUT SIZE: M6X1.0
5. MAXIMUM MOUNTING TORQUE: 5 Nm MAX
6. SURFACE MOUNT VERSION DOES NOT HAVE SPEED NUTS INSTALLED

TOLERANCES UNLESS OTHERWISE SPECIFIED	
METRIC TOL	ENGLISH TOL
1 PL DEC.=±.25	2 PL DEC.=±.01
2 PL DEC.=±.13	3 PL DEC.=±.005

THIRD ANGLE PROJECTION
ANGULAR TOL= ±2° FRACTION TOL= ± 1/64 IN